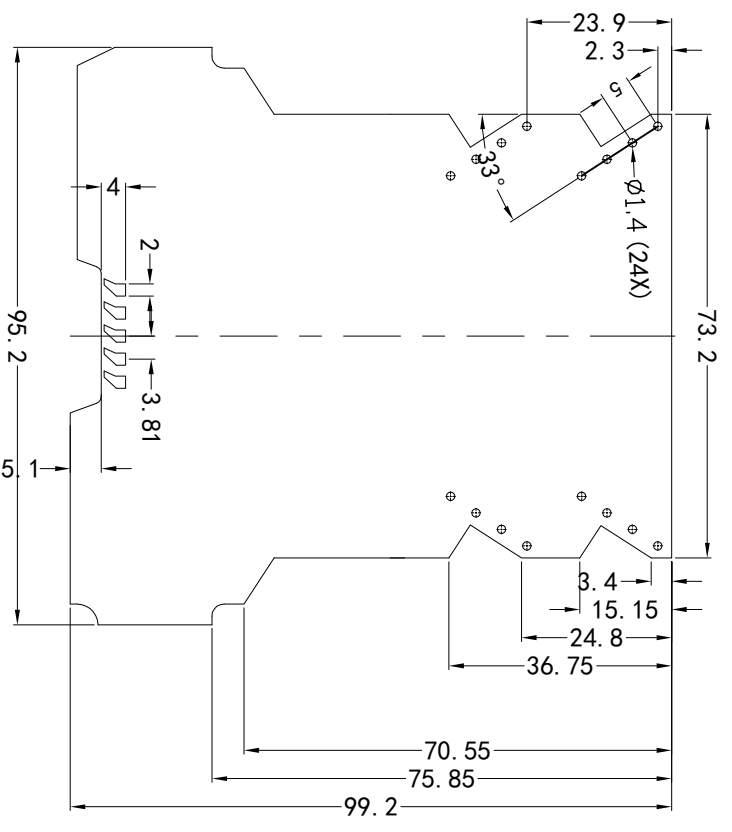
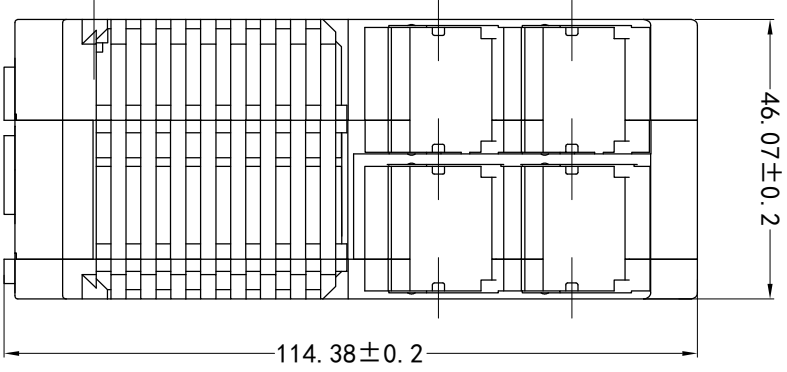
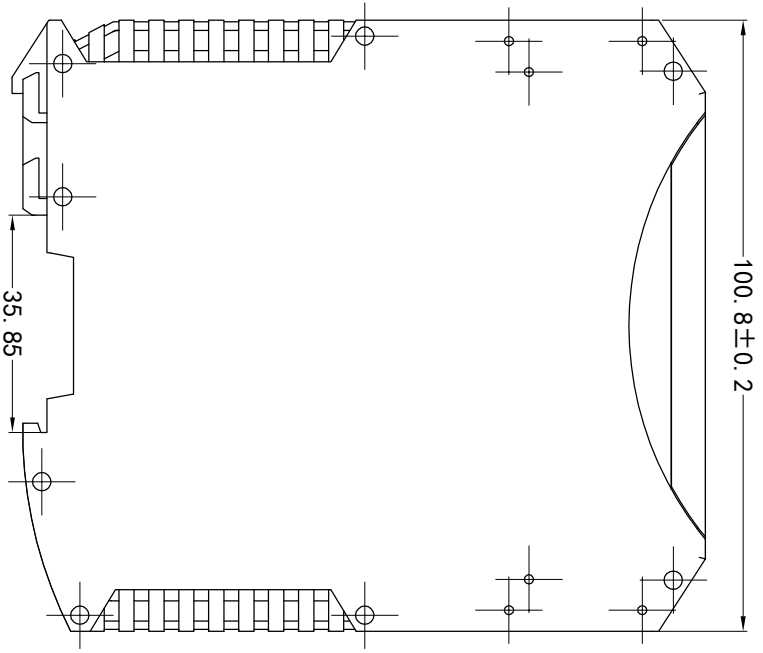
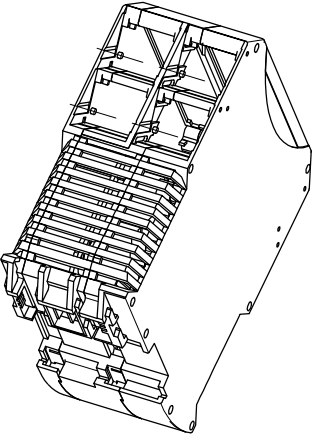
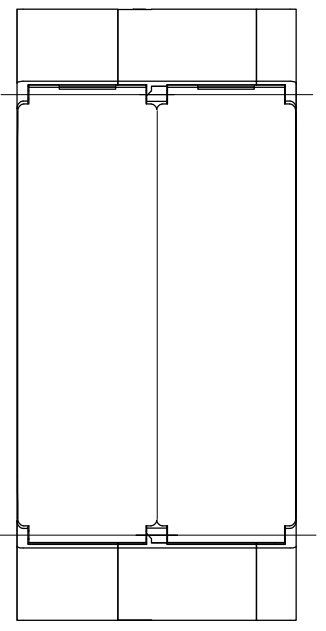


REV	CONTENT	CHK	DATE
V0.0	CONTENT	MYZ	22.10.12



Total Pitch Tolerances		Nominal dimension range	
In mm		In mm	
0	over	0	over
30	to	53	to
53	to	70	to
70	to	90	to
90	to	115	to
115	to	150	to
150	to	250	to
250	to	350	to
350	to	500	to
500	to	30	to
30	to	53	to
53	to	70	to
70	to	90	to
90	to	115	to
115	to	150	to
150	to	200	to
200	to	250	to
250	to	320	to
320	to	10	to
10	to	10	to
10	to	100	to
100	to	150	to
150	to	0.2	to
0.2	to	0.3	to
0.3	to	0.3	to
0.3	to	0.2	to
0.2	to	0.3	to
0.3	to	0.5	to

8	LABEL	XX	1	PVC	/
7	TERMINAL-4P	XX	4	PA66 UL94V-0	/
6	Cznd buckle	XX	1	STEEL	
5	SPRING	XX	1	SPRING STEEL	
4	COVER-TOP	XX	1	PA66 UL94V-0	/
3	CLAMP	XX	2	PA66 UL94V-0	/
2	HOUSING-RIGHT	XX	1	PA66 UL94V-0	/
1	HOUSING-LEFT	XX	1	PA66 UL94V-0	/
ITEM	NAME OF PART		Q'TY	MATERIAL	
DWG.	CXL	DATE	22.10.12	SCALE	1:1
CHK	DATE			SIZE	A4
APP	DATE			UNITS	mm
				SHEET/OF	1 / 1
宁波三安电子科技有限公司					
SFMEX4500					
DWGNO: XXXXX					